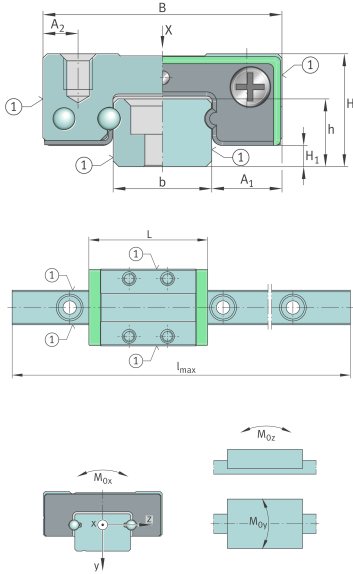




KUEM07-E [↗](#)

球单轨引导系统

技术信息

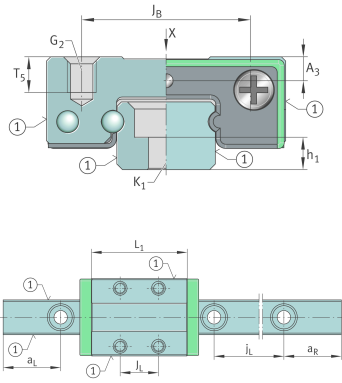


主要尺寸和性能数据

l_{max}	1,000 mm	Max length single piece guideway
H	8 mm	Height system
B	17 mm	Width carriage
L	23.5 mm	Overall length carriage
C	915 N	Basic dynamic load rating
C_0	1,460 N	Basic static load rating
M_{0x}	4.6 Nm	Static moment rating about X axis
M_{0y}	2.6 Nm	Static moment rating about Y axis
M_{0z}	2.6 Nm	Static moment rating about Z axis
$\approx m$	0.242 kg	重量

您当前的产品型号

Size code	07
Version	E



安装尺寸

b	7 mm	Width rail
h	4.8 mm	Height
A ₁	5 mm	Distance from locating edge on carriage to locating edge on guideway
A ₂	2.5 mm	Distance from locating edge to hole
H ₁	1.5 mm	Free space, system dimension
J _B	12 mm	Hole spacing
L ₁	18 mm	Effective saddle plate length
J _L	8 mm	Hole spacing
T ₅	2.5 mm	Thread depth
A ₃	1.7 mm	Position lubrication connector
G ₂	M2	Thread size
G ₂ M _A	0.32 Nm	Tightening torque
h ₁	2.3 mm	Length
j _L	15 mm	Distance between holes
a _L min	4 mm	Distance
a _L max	11 mm	Distance
a _R min	4 mm	Distance
a _R max	11 mm	Distance
K ₁	M2	Thread
K ₁ M _A	0.32 Nm	Tightening torque